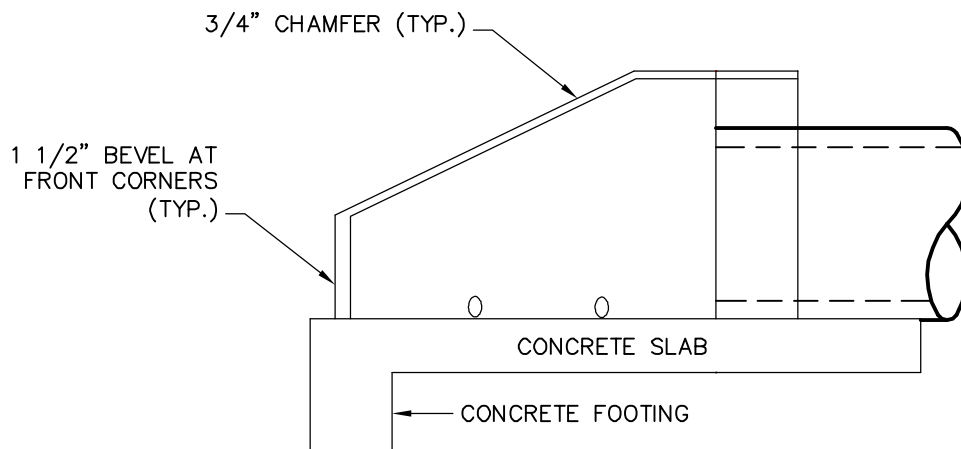


FRONT ELEVATION



LEFT SIDE ELEVATION

NOTES:

1. SEE STANDARD DETAIL. 5.09 FOR DIMENSIONS.
2. PLACE 1 CUBIC FOOT OF WASHED STONE BEHIND EACH WEEP HOLE.

REVISIONS	
DATE	DESCRIPTION