

- LEGEND:**
- RIVER AND STREAMS
 - PARCELS
 - 300' BUFFER
 - SUBDIVISION
 - 2' TOPO CONTOURS

REV	DATE	REVISION	APPR'D	REV BY
0	03/10/2023	ISSUED FOR REVIEW	CM	SAR

ENGINEER'S SEAL:

IF SHEET IS LESS THAN 24"x36"
IT IS A REDUCED PRINT -
SCALE REDUCED ACCORDINGLY.

PREPARED FOR DUKE ENERGY PROGRESS, LLC

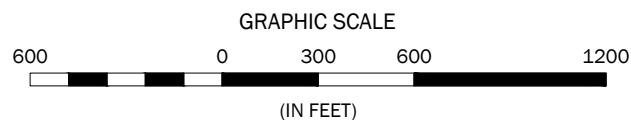
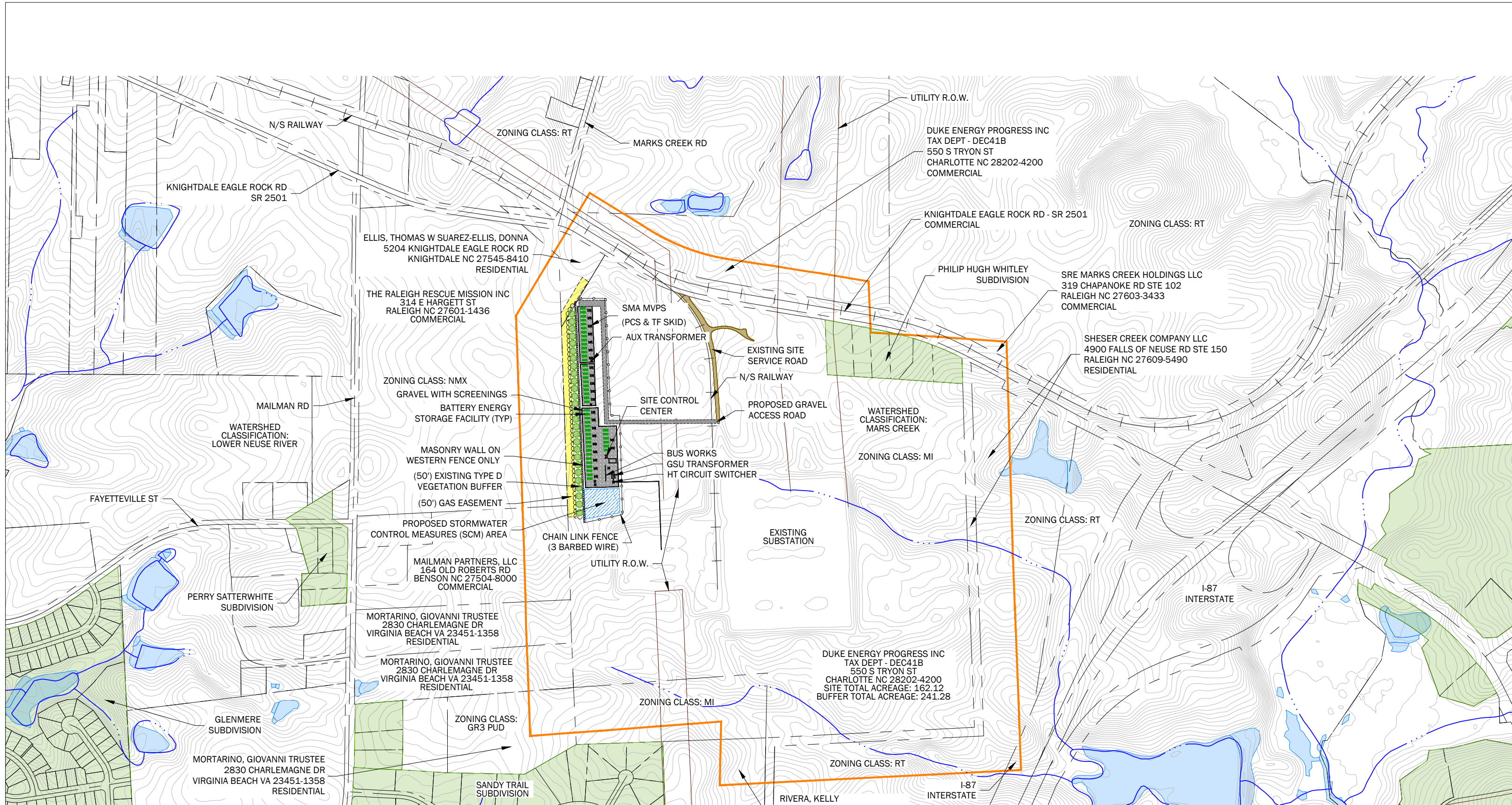
ERM NC, INC. - LICENSE # F-1223
300 WEST SUMMIT AVENUE, SUITE 330
CHARLOTTE, NORTH CAROLINA 28203

KNIGHTDALE BATTERY ENERGY STORAGE FACILITY

5201 KNIGHTDALE EAGLE ROCK ROAD
KNIGHTDALE, NC 27545

SCALE: 1"=600'	DESIGNED BY: SAR	DRAWN BY: SAR	JOB NUMBER: 0683084	SHEET: 1 OF 1
DATE: 03/08/2023	CHECKED: CM	APPROVED: CM		DISCIPLINE NO.: C-01
DRAWING NUMBER: FIGURE 1				REV: 0

C:\Users\spencer.reynolds\Desktop\Associate Projects\Knightdale.dwg - 3/9/2023 4:22:16 PM - DWG To PDF.pc3

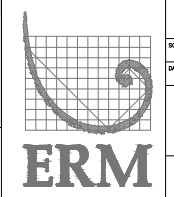


- LEGEND:
- RIVER AND STREAMS
 - PARCELS
 - 300' BUFFER
 - SUBDIVISION
 - 2' TOPO CONTOURS

REV	DATE	REVISION	APPR'D	REV BY
0	03/10/2023	ISSUED FOR REVIEW	CM	SAR

ENGINEER'S SEAL:

IF SHEET IS LESS THAN 24"x36"
IT IS A REDUCED PRINT -
SCALE REDUCED ACCORDINGLY.



PREPARED FOR DUKE ENERGY PROGRESS, LLC

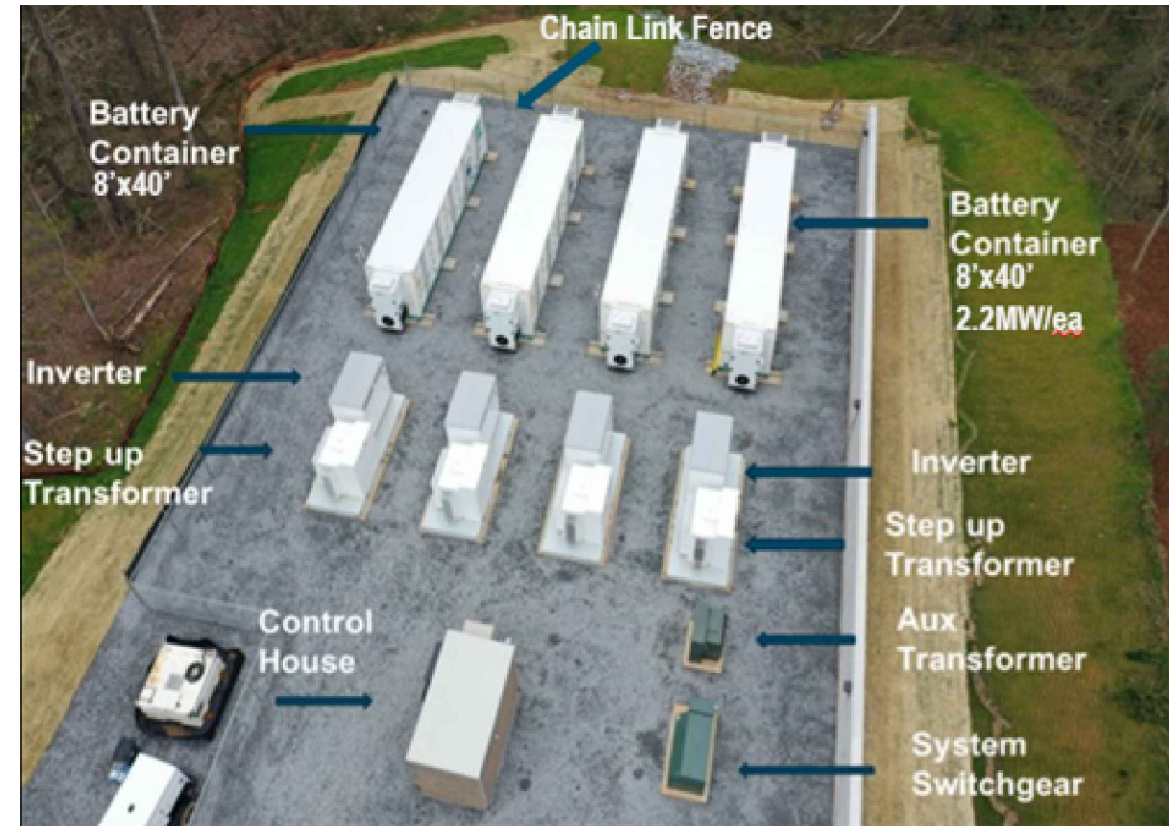
ERM NC, INC. - LICENSE # F-1223
300 WEST SUMMIT AVENUE, SUITE 330
CHARLOTTE, NORTH CAROLINA 28203

KNIGHTDALE SKETCH PLAN - DRAFT			
SCALE: 1"=600'	DESIGNED BY: SAR	DRAWN BY: SAR	JOB NUMBER: 0683084
DATE: 03/08/2023	CHECKED BY: CM	APPROVED BY: CM	SHEET: 1 OF 1
KNIGHTDALE BATTERY ENERGY STORAGE FACILITY			DISCIPLINE NO.:
5201 KNIGHTDALE EAGLE ROCK ROAD KNIGHTDALE, NC 27545			C-01
DRAWING NUMBER:			REV: 0
FIGURE 1			

C:\Users\spencer.reynolds\Desktop\Associate Projects\Chris Mettler\03-02-23\KNIGHTDALE.dwg - 3/9/2023 4:21:05 PM - DWG to PDF.ppt



TYPICAL SUNGROW ENERGY STORAGE CONTAINERS



TYPICAL BESS FACILITY LAYOUT



TYPICAL WARTSILA ENERGY STORAGE CONTAINERS



TYPICAL MASONRY WALL OPTIONS

				ENGINEER'S SEAL:				PREPARED FOR DUKE ENERGY PROGRESS, LLC ERM NC, INC. - LICENSE # F-1223 300 WEST SUMMIT AVENUE, SUITE 330 CHARLOTTE, NORTH CAROLINA 28203	
								KNIGHTDALE SKETCH PLAN - DRAFT	
SCALE: N.T.S. DATE: 03/08/2023		DESIGNED BY: SAR CHECKED: CM		DRAWN BY: SAR APPROVED: CM		JOB NUMBER: 0683084		SHEET: 1 OF 1	
				IF SHEET IS LESS THAN 24"x36" IT IS A REDUCED PRINT - SCALE REDUCED ACCORDINGLY.		KNIGHTDALE BATTERY ENERGY STORAGE FACILITY 5201 KNIGHTDALE EAGLE ROCK ROAD KNIGHTDALE, NC 27545		DISCIPLINE NO.: C-01	
REV: 0 DATE: 03/10/2023		ISSUED FOR REVIEW		CM SAR		DRAWING NUMBER: FIGURE 2		REV: 0	
REV: 0 DATE: 03/10/2023		REVISION		APPR'D SAR				REV: 0	





BUFFER DENSITY FROM 50' (VIEW TOWARD NEIGHBORING PARCEL)



Vegetative Buffer (View from neighboring parcel)

VEGETATIVE BUFFER (VIEW FROM NEIGHBORING PARCEL)

				ENGINEER'S SEAL:				PREPARED FOR DUKE ENERGY PROGRESS, LLC ERM NC, INC. - LICENSE # F-1223 300 WEST SUMMIT AVENUE, SUITE 330 CHARLOTTE, NORTH CAROLINA 28203																					
								KNIGHTDALE SKETCH PLAN - DRAFT																					
<table border="1"> <tr> <td>SCALE</td> <td>N.T.S.</td> <td>DESIGNED BY</td> <td>SAR</td> <td>DRAWN BY</td> <td>SAR</td> <td>JOB NUMBER</td> <td>0683084</td> <td>SHEET</td> <td>1 OF 1</td> </tr> <tr> <td>DATE</td> <td>03/08/2023</td> <td>CHECKED</td> <td>CM</td> <td>APPROVED</td> <td>CM</td> <td colspan="2"></td> <td>DISCIPLINE NO.</td> <td>C-01</td> </tr> </table>		SCALE	N.T.S.	DESIGNED BY	SAR	DRAWN BY	SAR	JOB NUMBER	0683084	SHEET	1 OF 1	DATE	03/08/2023	CHECKED	CM	APPROVED	CM			DISCIPLINE NO.	C-01	KNIGHTDALE BATTERY ENERGY STORAGE FACILITY 5201 KNIGHTDALE EAGLE ROCK ROAD KNIGHTDALE, NC 27545				DRAWING NUMBER: FIGURE 3		REV 0	
SCALE	N.T.S.	DESIGNED BY	SAR	DRAWN BY	SAR	JOB NUMBER	0683084	SHEET	1 OF 1																				
DATE	03/08/2023	CHECKED	CM	APPROVED	CM			DISCIPLINE NO.	C-01																				
<table border="1"> <tr> <td>0</td> <td>03/10/2023</td> <td>ISSUED FOR REVIEW</td> <td>CM</td> <td>SAR</td> <td colspan="5">IF SHEET IS LESS THAN 24"x36" IT IS A REDUCED PRINT - SCALE REDUCED ACCORDINGLY.</td> </tr> <tr> <td>REV</td> <td>DATE</td> <td>REVISION</td> <td>APPR'D</td> <td>REV BY</td> <td colspan="5"></td> </tr> </table>		0	03/10/2023	ISSUED FOR REVIEW	CM	SAR	IF SHEET IS LESS THAN 24"x36" IT IS A REDUCED PRINT - SCALE REDUCED ACCORDINGLY.					REV	DATE	REVISION	APPR'D	REV BY													
0	03/10/2023	ISSUED FOR REVIEW	CM	SAR	IF SHEET IS LESS THAN 24"x36" IT IS A REDUCED PRINT - SCALE REDUCED ACCORDINGLY.																								
REV	DATE	REVISION	APPR'D	REV BY																									