

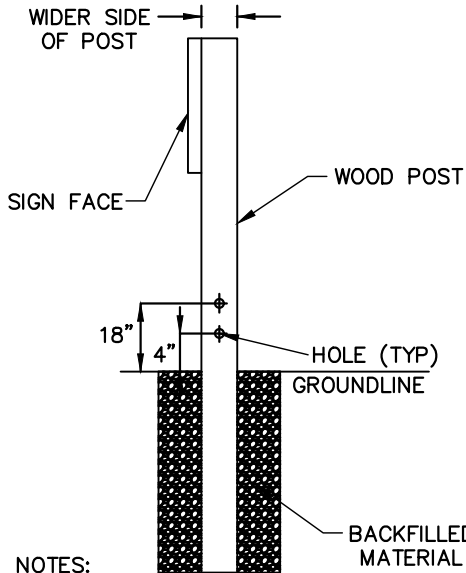
14" DIA. HOLE FOR 4" X 4" & 4" X 6"
18" DIA. HOLE FOR 6" X 6" & 6" X 8"

NOTE:

TREATED WOODEN POST SHALL BE PLACED IN PRE-DUG HOLE IN GROUND. BACKFILLED USING SUITABLE MATERIAL. AND TAMPED THOROUGHLY TO PROVIDE A RIGID SUB-SURFACE CONDITION AROUND THE POST.

TYPICAL FOUNDATION FOR WOOD SUPPORTS

DIRECTION OF TRAFFIC



POST SIZE	HOLE DIA. (IN.)
4" X 4"	--
4" X 6"	1 1/2
6" X 6"	2
6" X 8"	3

WOOD POST MODIFICATIONS FOR BREAKAWAY FEATURES

NOTES:

- ALL WOOD POSTS LARGER THAN 4" X 4" SHALL BE MADE BREAKAWAY BY DRILLING TWO HOLES CENTERED AT 4" AND 18" ABOVE THE GROUND LINE AND PERPENDICULAR TO THE ROADWAY.
- ALL SUPPORTS WITHIN THE CLEAR ZONE SHALL BE BREAKAWAY UNLESS PROTECTED.

WOOD POST MODIFICATIONS FOR BREAKAWAY FEATURE

REVISIONS	
DATE	DESCRIPTION

TOWN OF KNIGHTDALE
STANDARD DETAILS

SCM IDENTIFICATION SIGN

STD. NO.

2.02



NO SWIMMING
OR WADING

NO SKATING

NO BOATING

WARNING
UNSAFE TO ENTER

CUSTOMIZATION AREA

24' 0"

18' 0"

NOTES:

- SIGNS SHOULD BE INSTALLED ON 4" X 4" MIN. TREATED WOODEN POST IN CONSPICUOUS LOCATION.
- SIGNS SHOULD HAVE AN ALUMINUM BACKING MATERIAL.
- SIGNS SHOULD CONTAIN THE ABOVE SYMBOLS AS APPLICABLE.
- SIGNS SHOULD ALWAYS INCLUDE THE FOLLOWING ADDITIONAL INFORMATION:
 - NAME OF OWNER/PARTY RESPONSIBLE FOR MAINTENANCE
 - OWNER/RESPONSIBLE PARTY CONTACT TELEPHONE
 - KNIGHTDALE STORMWATER HOTLINE TELEPHONE: 919-217-2255
- OWNER/RESPONSIBLE PARTY MAY SUBMIT CUSTOM SIGNAGE FOR APPROVAL.
- SIGNS MUST BE PROPERLY MAINTAINED TO ENSURE ALL GRAPHICS STAY LEGIBLE.