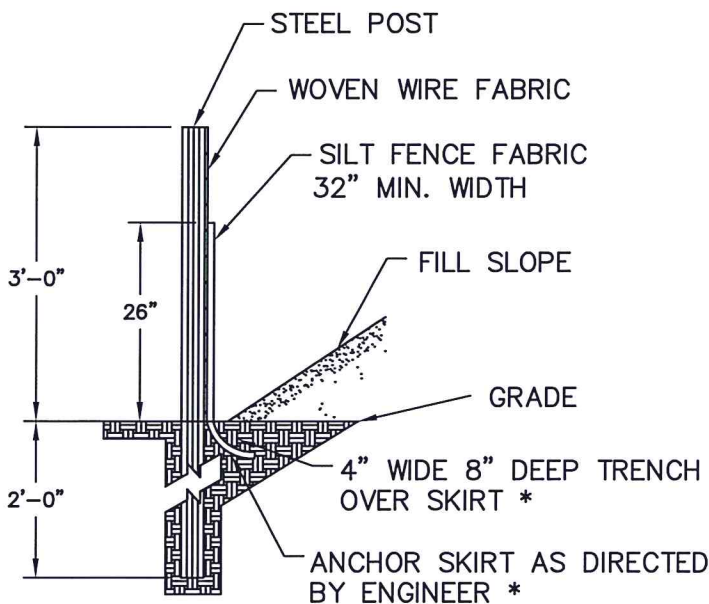
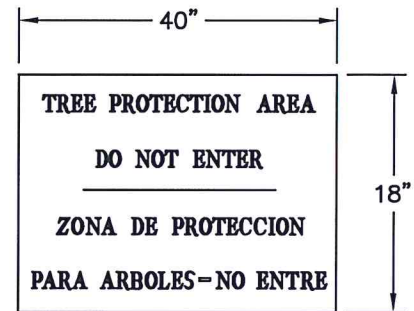


FRONT VIEW



SIDE VIEW

* FOR REPAIR OF SILT FENCE FAILURES, USE NO. 57 WASHED STONE



WARNING SIGN DETAIL

NOTES:

1. ORANGE SILT FENCE REQUIRED.
2. USE SILT FENCE ONLY WHEN DRAINAGE AREA DOES NOT EXCEED 1/4 ACRE AND NEVER IN AREAS OF CONCENTRATED FLOW.
3. ORANGE, UV RESISTANT, HIGH-TENSILE STRENGTH, POLY BARRICADE FABRIC MUST BE USED.
4. END OF SILT FENCE MUST BE TURNED UPHILL.
5. WARNING SIGNS ARE TO BE MADE OF DURABLE, WEATHERPROOF MATERIAL.
6. LETTERS TO BE 3" HIGH MINIMUM, CLEARLY LEGIBLE AND SPACED AS DETAILED IN "WARNING SIGN DETAIL" (THIS SHEET).
7. SIGNS SHALL BE PLACED AT 50' MAXIMUM INTERVALS.
8. SIGNS SHALL BE PLACED AT EACH END OF LINEAR TREE PROTECTION AND 50' ON CENTER THEREAFTER.
9. FOR TREE PROTECTION WITH AREAS LESS THAN A 200' PERIMETER, PROVIDE NO LESS THAN ONE SIGN PER PROTECTION AREA.
10. ATTACH SIGNS SECURELY TO FENCE POSTS AND FABRIC.
11. MAINTAIN TREE PROTECTION FENCE THROUGHOUT DURATION OF PROJECT.
12. ADDITIONAL SIGNS MAY BE REQUIRED BY TOWN OF KNIGHTDALE ENGINEERING DEPARTMENT BASED ON ACTUAL FIELD CONDITIONS.

REVISIONS	
DATE	DESCRIPTION

TOWN OF KNIGHTDALE
STANDARD DETAILS

STANDARD TEMPORARY SILT/TREE PROTECTION
FENCE

STD. NO.

2.10-2