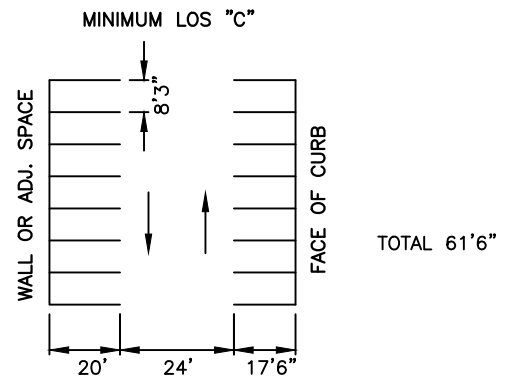
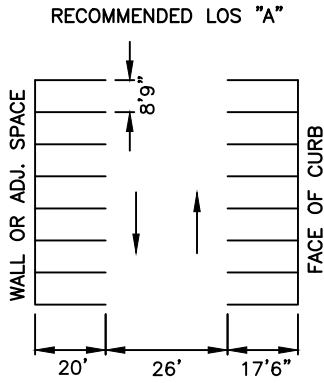
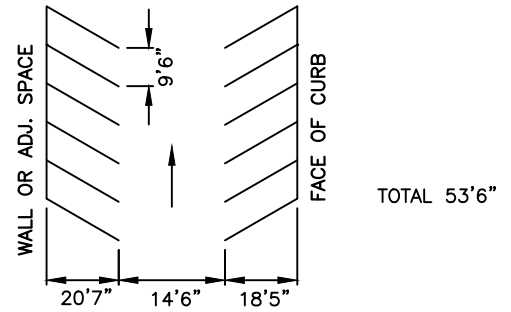
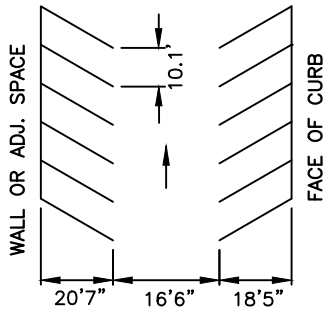


PLANNING & URBAN DESIGN
DESIGN STANDARDS

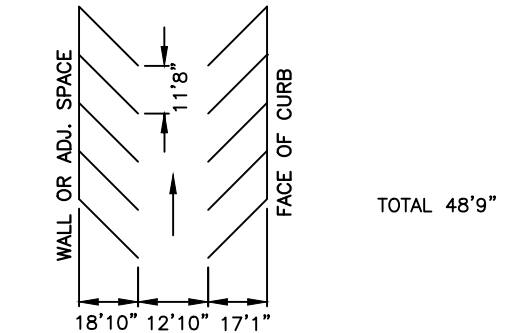
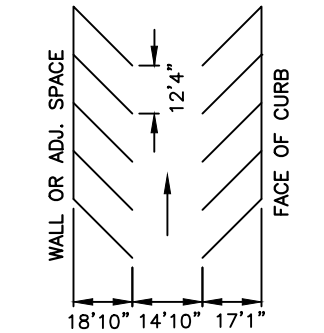
PARKING ANGLE 90°
(TWO WAY OPERATION ONLY)
TOTAL 63'6"



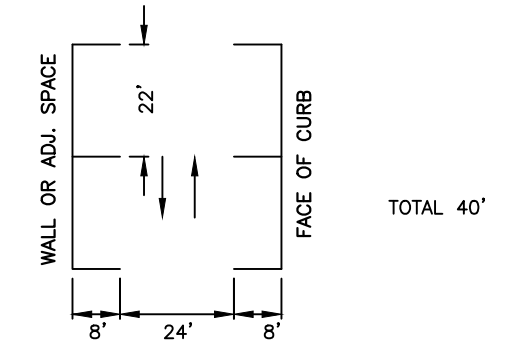
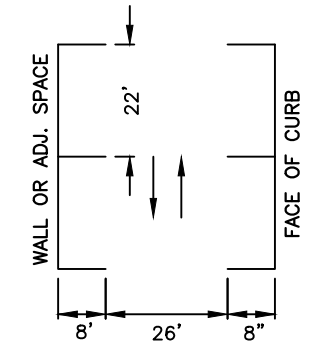
PARKING ANGLE 60°
(ONE WAY OPERATION ONLY)
TOTAL 55'6"



PARKING ANGLE 45°
(ONE WAY OPERATION ONLY)
TOTAL 50'9"



PARALLEL PARKING
(TWO WAY OPERATION ONLY)
TOTAL 42'



NOTE:

1. FOR ACCESSIBLE PARKING STANDARDS SEE TOWN UNIFIED DEVELOPMENT ORDINANCE.
2. PAVEMENT MARKINGS SHALL BE 4" WHITE PAINT TO TOWN STANDARDS.

REVISIONS	
DATE	DESCRIPTION

TOWN OF KNIGHTDALE
STANDARD DETAILS

PARKING STANDARDS

STD. NO.

3.20