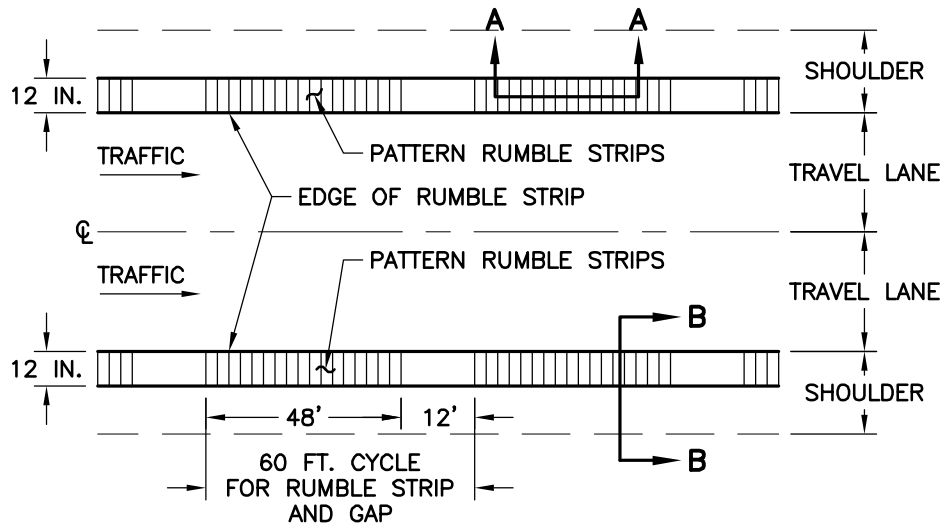
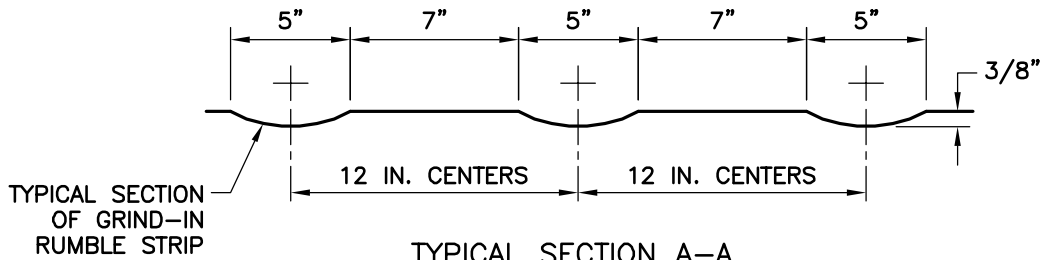


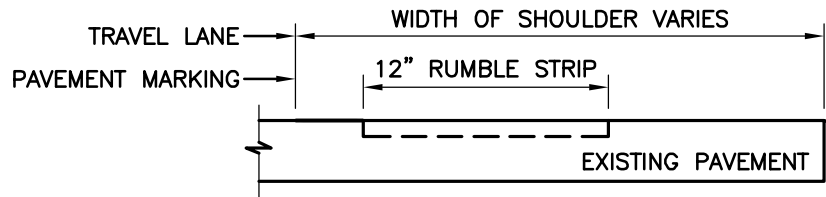
INTERMITTENT RUMBLE STRIP  
TWO-LANE ROADWAY (ASPHALT)



INTERMITTENT RUMBLE STRIP  
FOUR-LANE DIVIDED ROADWAY (ASPHALT)



TYPICAL SECTION A-A  
FOR GRIND-IN RUMBLE STRIP  
ON EXISTING ASPHALT OR CONCRETE PAVEMENT



TYPICAL SECTION B-B

REVISIONS	
DATE	DESCRIPTION

TOWN OF KNIGHTDALE  
STANDARD DETAILS

RUMBLE STRIPS  
OUTSIDE LANE

STD. NO.

3.29