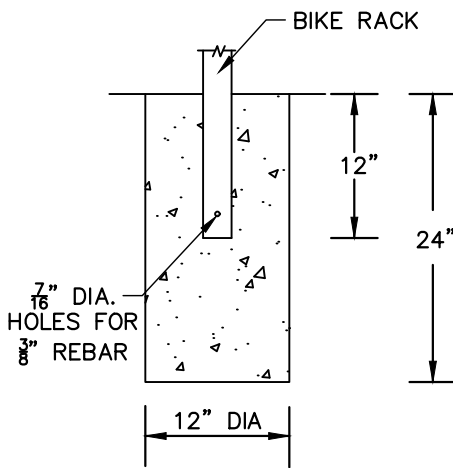
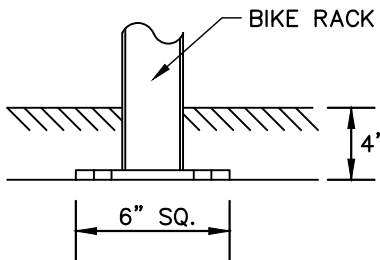


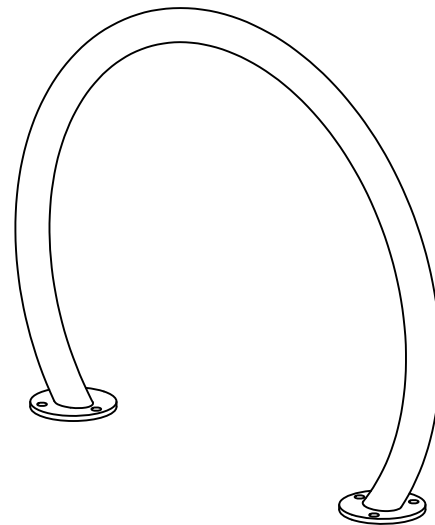
S-2 SURFACE MOUNT



S-1 EMBEDMENT



S-4 SUB FLOOR



NOTES:

1. BIKE RACK SHALL BE DUMOR 292 SERIES POWDER COATED (BLACK), OR EQUIVALENT.
2. OTHER DESIGNS MAY BE ALLOWED PER TOWN OF KNIGHTDALE REVIEW AND APPROVAL.
3. BIKE RACK TO BE INSTALLED BY CONTRACTORS IN ACCORDANCE WITH MANUFACTURER'S SPECIFICATIONS AND DETAILS.
4. ALL STEEL MEMBERS COATED WITH ZINC RICH EPOXY COATING THEN FINISHED WITH POLYESTER POWDER COATED.
5. 1/2" X 3 3/4" EXPANSION ANCHOR BOLTS PROVIDED FOR OPTIONS S-2 & S-4.

REVISIONS	
DATE	DESCRIPTION

TOWN OF KNIGHTDALE
STANDARD DETAILS

TYPICAL BIKE RACK

STD. NO.

4.15