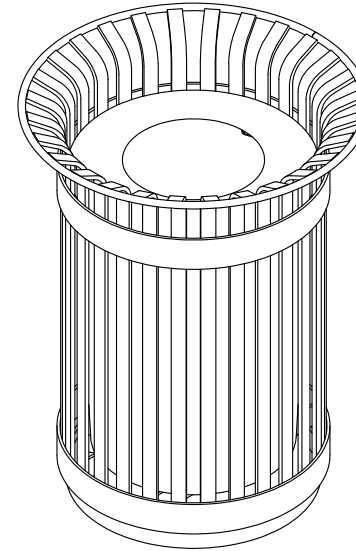
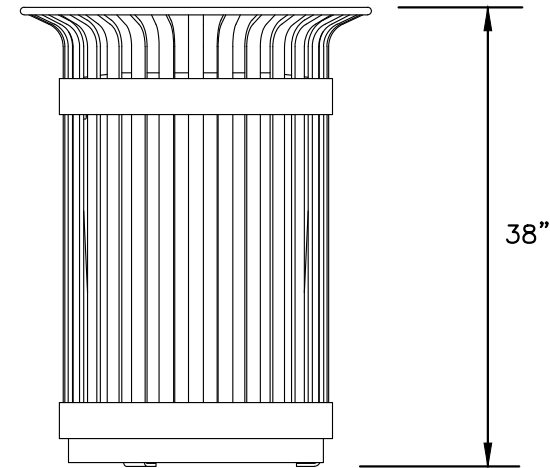


TOP VIEW



NOTES:

1. TRASH RECEPTACLE SHALL BE MAGLIN STEEL FLAT BAR, 32 GALLON, WITH DOME LID (BLACK GLOSS), OR EQUIVALENT.
2. OTHER DESIGNS MAY BE ALLOWED PER TOWN OF KNIGHTDALE REVIEW AND APPROVAL.
3. TRASH RECEPTACLE TO BE INSTALLED BY CONTRACTOR IN ACCORDANCE WITH MANUFACTURER'S SPECIFICATIONS AND DETAILS.



SIDE VIEW

REVISIONS	
DATE	DESCRIPTION

TOWN OF KNIGHTDALE
STANDARD DETAILS

TYPICAL TRASH RECEPTACLE

STD. NO.

4.16