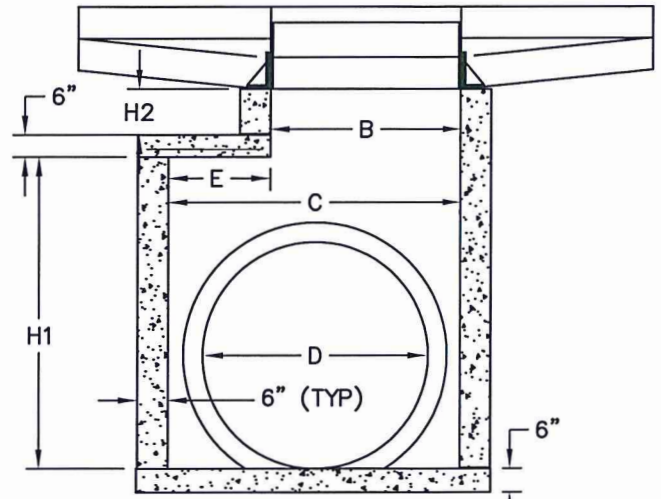
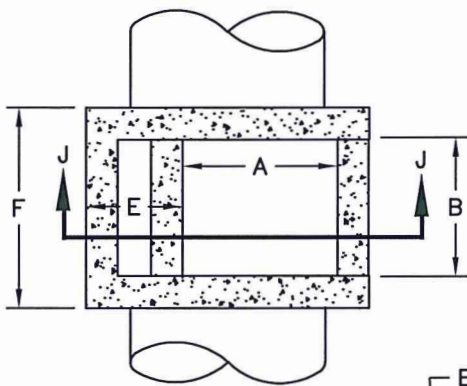


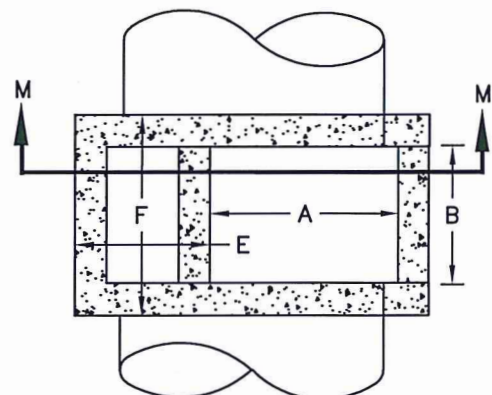
END ELEVATION J-J
WHERE 30" TO 36" PIPE IS USED



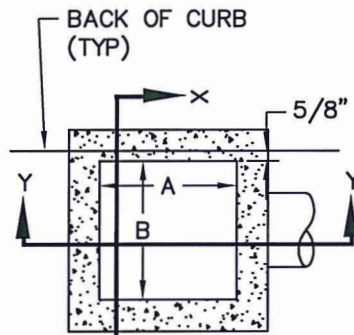
SIDE ELEVATION M-M
WHERE 42" TO 54" PIPE IS USED



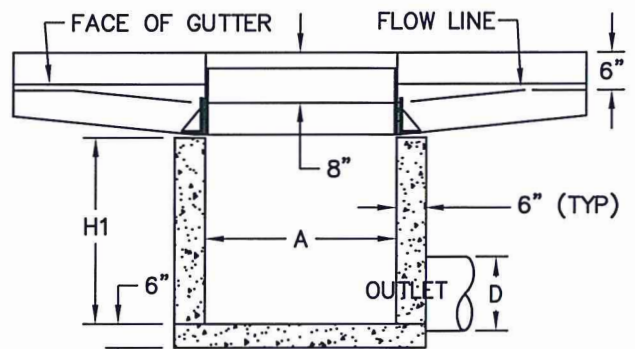
PLAN



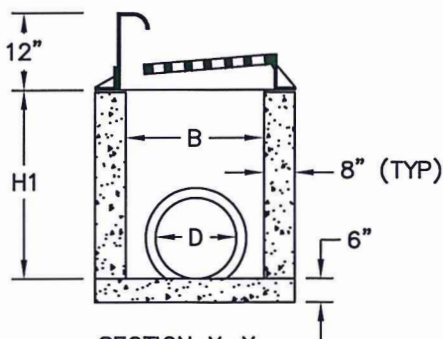
PLAN



PLAN VIEW



SECTION Y-Y



SECTION X-X

NOTES:

1. ALL CONCRETE SHALL BE 3000 P.S.I.
2. BASE SLABS SHALL BE FORMED PRIOR TO PLACING OF CONCRETE.
3. USE TYPE "A" GRATE AT SAG POINTS, OTHERWISE USE TYPE "B" OR "C" FOR THE APPROPRIATE FLOW DIRECTION.
4. ALL WALLS GREATER THAN 6' IN DEPTH SHALL BE CONSTRUCTED 12" THICK.
5. WAFFLE BOXES ARE NOT ALLOWED WITHOUT PRIOR APPROVAL FROM THE TOWN OF KNIGHTDALE

REVISIONS	
DATE	DESCRIPTION

TOWN OF KNIGHTDALE
STANDARD DETAILS

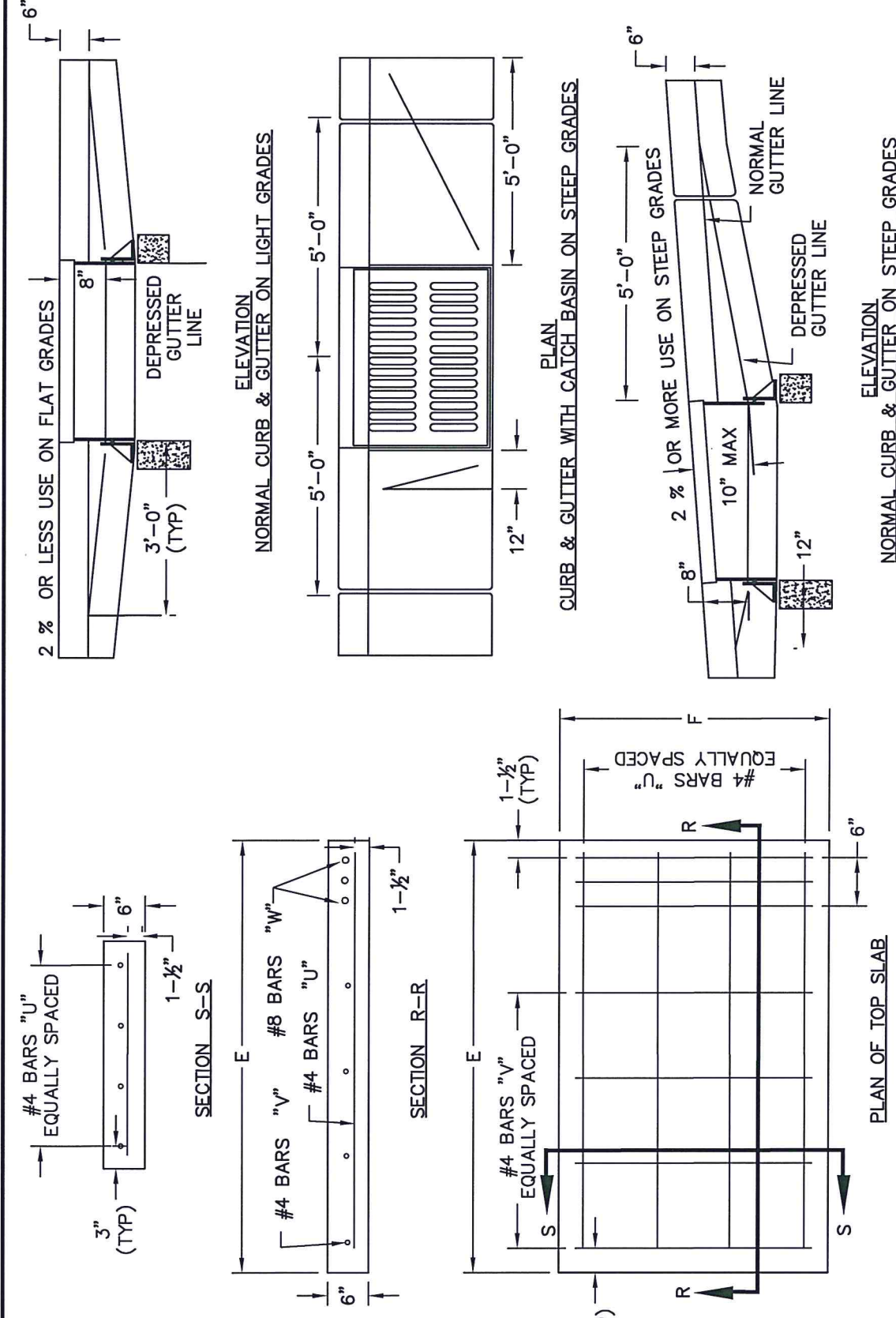
STANDARD CURB INLET
PRECAST CONCRETE BOX

3 of 4

STD. NO.

5.05-3

TOWN OF KNIGHTDALE STANDARD DETAILS	
DATE	DESCRIPTION



DIMENSIONS AND QUANTITIES FOR BRICK CATCH BASINS																					
DIMENSIONS FOR BOX AND PIPE				COVER DIMENSIONS			REINFORCING			CUBIC YARDS OF CONCRETE IN BOX		BRICK MASONRY		DEDUCTIONS FOR ONE PIPE							
PIPE	SPAN	WIDTH	WIDTH	SPAN	HEIGHT	HEIGHT	H2	NO	LENGTH	NO	LENGTH	TOTAL	TOP	FLOOR	TOTAL	CU	PER FT	Ht	CM	RC	
15"	3'-0"	2'-2"			2'-6"													0.321		0.0308	0.047
18"					2'-10"													ABOVE		0.0442	0.065
24"					3'-4"													MIN		0.0794	0.113
30"			3'-4"		3'-2"	1'-10"	4'-4"	4	1'-6"	3	4'-1"	45								0.1224	0.170
36"			3'-10"		3'-8"	2'-4"	4'-4"	4	2'-0"	3	4'-1"	49								0.1760	0.230
42"			4'-5"		4'-4"	2'-1"	3'-6"	4	1'-9"	3	3'-3"	38								0.2400	0.323
48"			5'-0"		4'-10"	2'-6"	3'-6"	4	2'-6"	3	3'-3"	40								0.3131	0.460
54"	3'-0"	2'-2"	5'-7"		5'-4"	3'-3"	3'-9"	4	3'-0"	6	3'-3"	48								0.3958	0.580