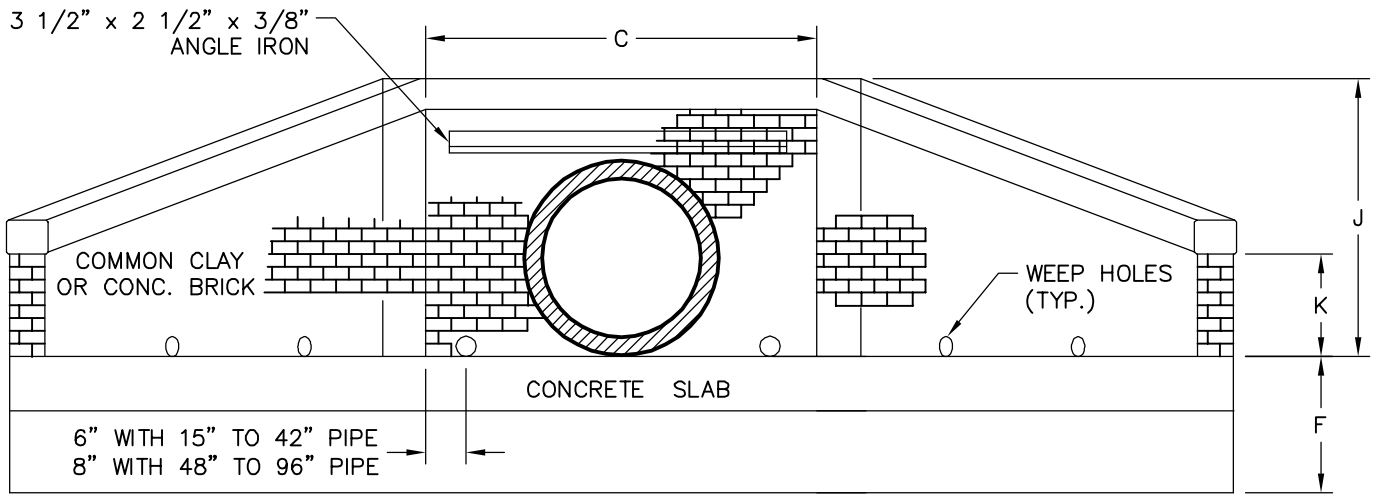


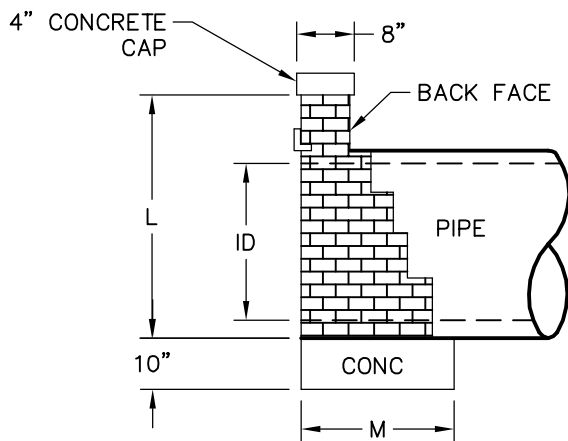
**NOTES:**

1. SEE STANDARD No. 5.09 FOR DIMENSIONS.
2. PLACE 1 CUBIC FOOT OF WASHED STONE BEHIND EACH WEEP HOLE.

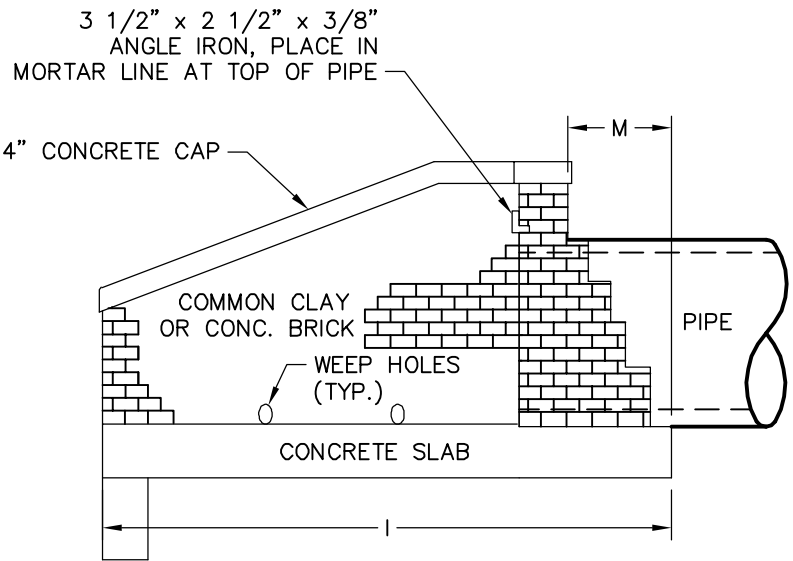
REVISIONS	
DATE	DESCRIPTION



FRONT ELEVATION



END ELEVATION



SIDE ELEVATION

COMMON DIMENSIONS		
ID	L	M
15"	2'-5"	1'-8"
18"	2'-8"	1'-8"
24"	3'-4"	2'-0"
30"	3'-9"	2'-4"
36"	4'-3"	2'-4"
42"	4'-11"	2'-8"
48"	5'-7"	3'-0"

NOTES:

1. ADD THE COMMON DIMENSIONS TO OVERALL LIST ON STANDARD DETAIL 5.09 FOR BRICK HEADWALLS.
2. THE COMMON DIMENSIONS ARE FOR END WALLS FOR BRICK H.W. WITH 48" R.C.P. & UNDER.
3. ANGLE IRON AS SHOWN SHALL BE REQUIRED ONLY WHEN CORRUGATED METAL PIPE IS USED.
4. ONE CUBIC FOOT OF STONE REQUIRED BEHIND EACH WEEP HOLE.

REVISIONS	
DATE	DESCRIPTION