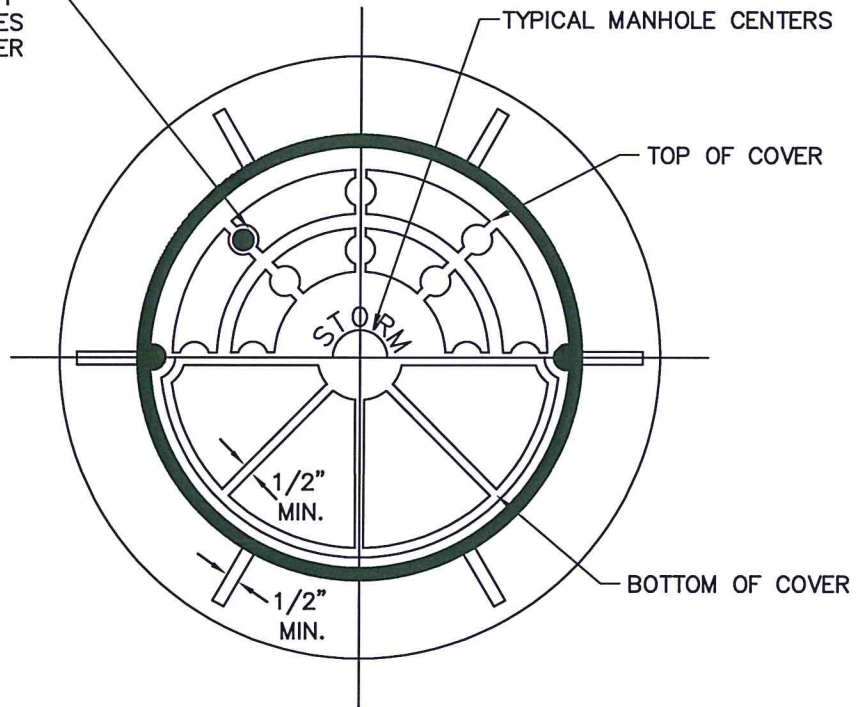


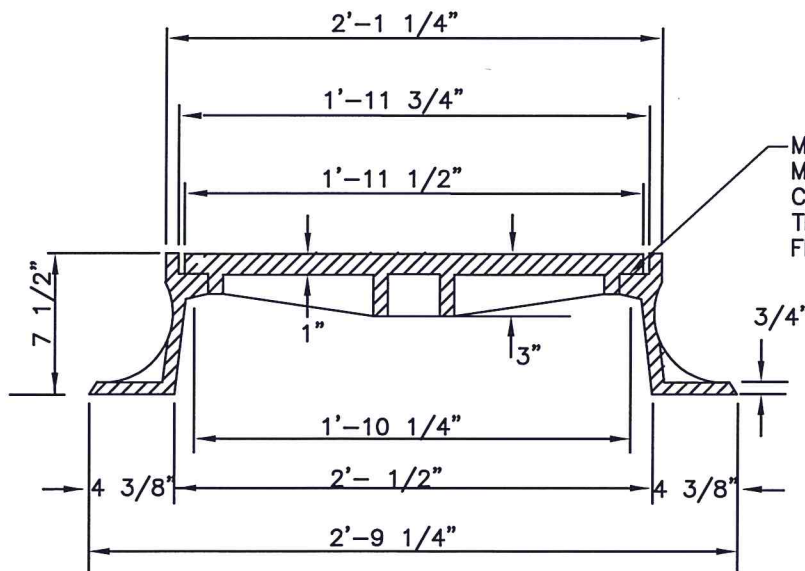
THE WORDS 'STORM SEWER' MUST BE CAST ON THE COVER.



A MINIMUM OF TWO 1" DIAMETER HOLES REQUIRED FOR STORM SEWER



PLAN VIEW



MANHOLE CASTING SHALL BE MACHINED TO PROVIDE A CONTINUOUS BEARING AROUND THE FULL PERIPHERY OF THE FRAME.

SECTION

MINIMUM AVERAGE WEIGHT

RING	190
COVER	120
TOTAL	310

REVISIONS	
DATE	DESCRIPTION

TOWN OF KNIGHTDALE
STANDARD DETAILS

STANDARD MANHOLE RING & COVER

STD. NO.

5.10